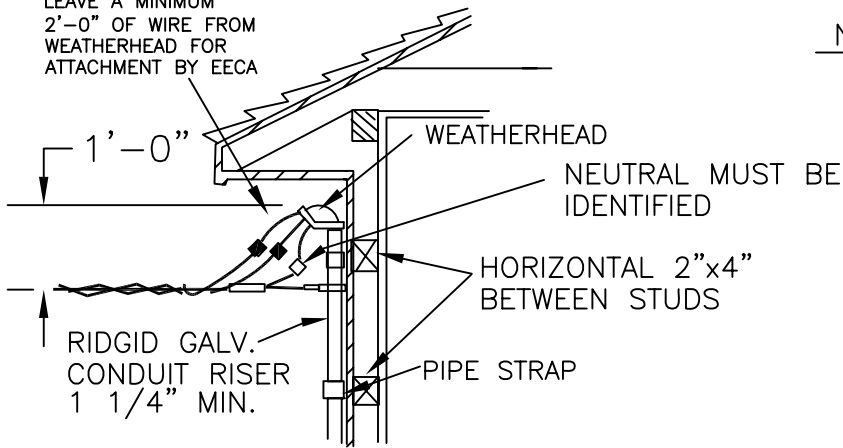
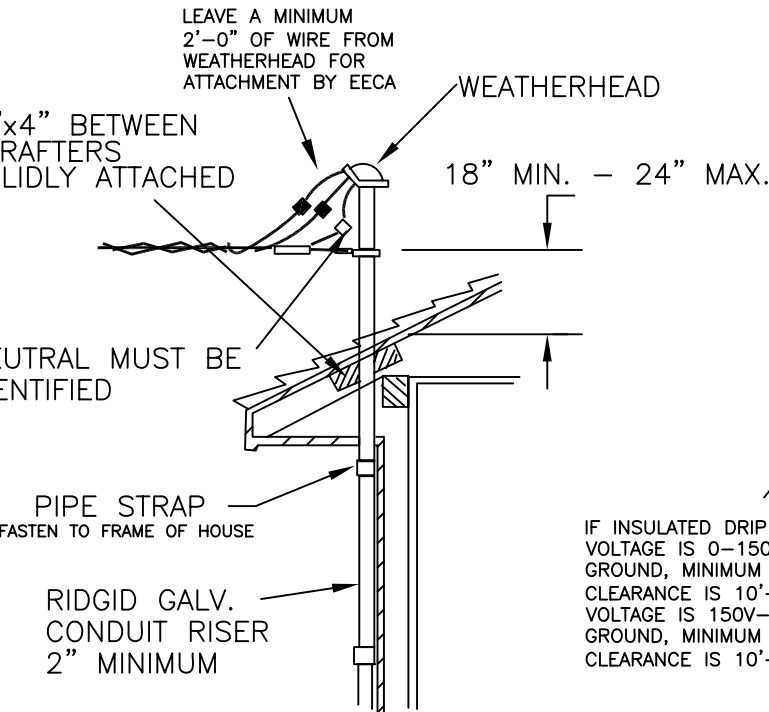


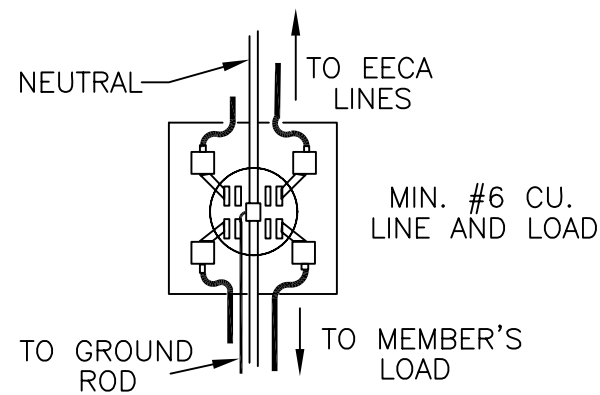
LEAVE A MINIMUM
2'-0" OF WIRE FROM
WEATHERHEAD FOR
ATTACHMENT BY EECA



BELOW THE ROOF ATTACHMENT



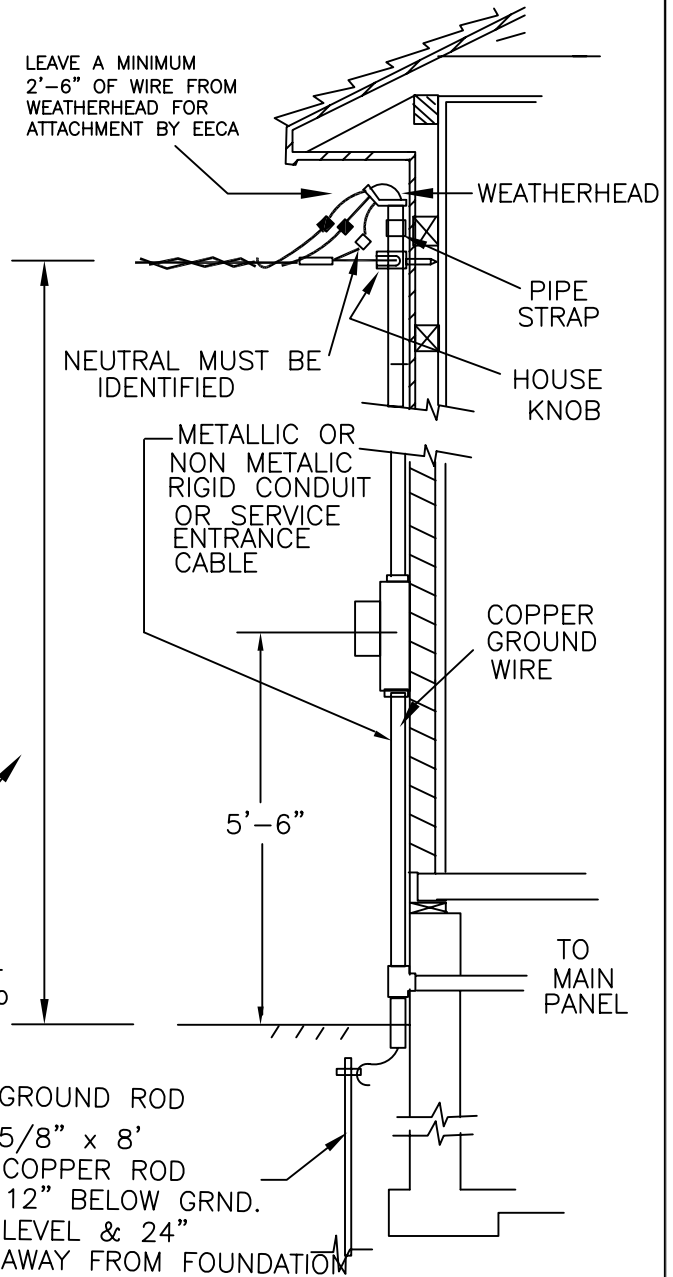
ABOVE THE ROOF ATTACHMENT



METER WIRING

NOTE: EECA RESPONSIBILITY ENDS
AT THE FINAL TERMINATION
AT THE WEATHERHEAD

LEAVE A MINIMUM
2'-6" OF WIRE FROM
WEATHERHEAD FOR
ATTACHMENT BY EECA



SIDE VIEW

GROUND ROD
5/8" x 8'
COPPER ROD
12" BELOW GRND.
LEVEL & 24"
AWAY FROM FOUNDATION

NOTE: ALL WIRING MUST CONFORM WITH THE
NATIONAL ELECTRIC CODE AND ALL
LOCAL CODES.

**LIMITED USE: MUST BE APPROVED
BY ENGR MGR**

PERMANENT RESIDENTIAL OVERHEAD SERVICE

CONST. NO.

EGYPTIAN ELECTRIC COOPERATIVE ASSOCIATION
STEELEVILLE, ILLINOIS

SCALE NONE

DATE

SUPERSEDES

FILE NO.

DRAWN BY HERMETZ

2/04

CHECKED BY

FIGURE 3

REV#1:

APPROVED BY